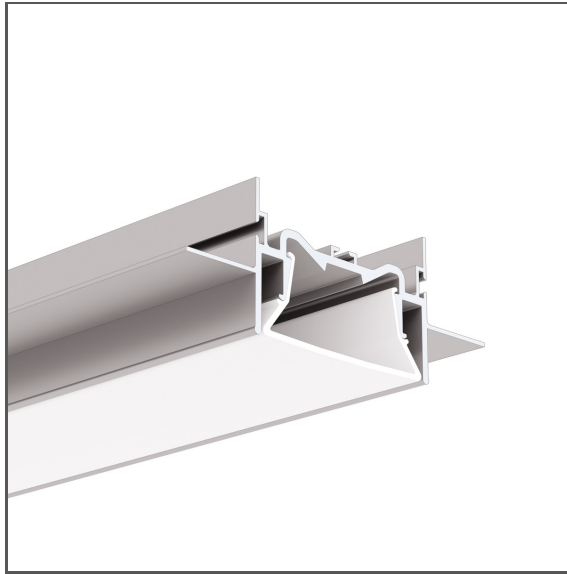


Profile FOLED-50

Ref. A03632

Ref. arch C3632



- Installation of lighting and stretch films in suspension
- High lumen output
- Mounting to 12,5 mm - 0.49" drywall
- Non visible aluminum elements
- Line of light flush with the surface

APPLICATION

- lighting recessed in surfaces made of stretch film and in drywall

MOUNTING

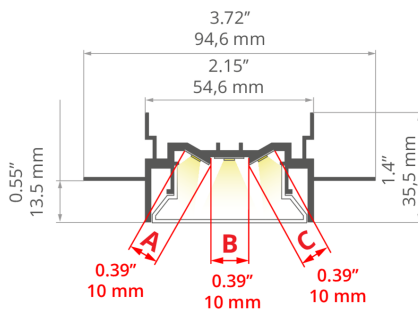
- suspended or in drywall, using a dedicated mounting track, dedicated accessories and screws
- can be easily connected into runs and systems

ADDITIONAL INFORMATION

- the profile has grooves for the attachment of the hooks from the stretch film
- standard lengths of KLUŚ profiles and covers: 1000 mm (tolerance ± 1.5 mm) and 2005 mm / 3010 mm (tolerance + 5 mm); for selected covers: 6050 mm, 10050 mm (tolerance + 5 mm)
- when choosing a different length of profiles / covers than available in the standard, you should additionally choose the cutting service at KLUŚ

TECHNICAL DRAWING

1:2



TECHNICAL SPECIFICATIONS

Material	aluminum
Color	■ silver non anodized
Possible fixture IP	20
Possible fixture shapes	linear, polygonal
Profile cross-section	rectangular
Width	94.6 mm
Height	35.5 mm
LED gluing width A	10 mm
LED gluing width B	10 mm
LED gluing width C	10 mm
Number of LED strips A (8 mm wide)	1
Number of LED strips B (8 mm wide)	1
Number of LED strips C (8 mm wide)	1
Lighting at an angle	90
Lighting angle adjustment up to	80
Beam angle adjustment from	90
Beam angle adjustment up to	90

Length	Ref
1000 mm	A03632N_1 C3632NA_1
2005 mm	A03632N_2 C3632NA_2
3010 mm	A03632N_3 C3632NA_3

Profile FOLED-50

Ref. A03632

Ref. arch C3632

Building type

Commercial, Retail,
Entertainment/ Arts, HoReCa
object

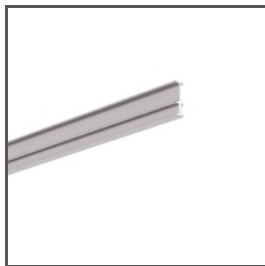
Facility zone

office, conference room,
communication routes and
corridors

SAMPLE PROJECTS



RELATED PROFILES > MOUNTING TRACKS



FOLHAK

A08338

Ref. arch B8338

RELATED PROFILES > STRETCH CEILINGS



FOLED-50-SUF

A03631

Ref. arch C3631

RELATED ACCESSORIES > RELATED COVERS



NAME	MATERIAL	MATERIAL TRANSMITTANCE	COLOR	REF.
FOLED-50	PMMA	70 %	<input type="checkbox"/> frosted	B17171M 17171

Profile FOLED-50

Ref. A03632

Ref. arch C3632

RELATED ACCESSORIES > RELATED END CAPS

NAME		MATERIAL	COLOR	REF.
FOLED-50		stainless steel	■ gray	C28238N00 42676
FOLED-50-W		PMMA	□ white	C24294C02 24294

RELATED ACCESSORIES > OTHER RELATED ACCESSORIES > CONNECTORS



CONNECTOR
ZM-NA-120
C28242N00
Ref. arch 42729

RELATED ACCESSORIES > OTHER RELATED ACCESSORIES > MOUNTING BRACKETS



SPRING HANGER
Z71000
Ref. arch 79106

RELATED ACCESSORIES > OTHER RELATED ACCESSORIES > OTHER



GLAND
6x1,2
C24517C07
Ref. arch 00802