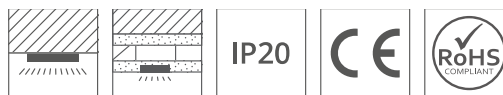
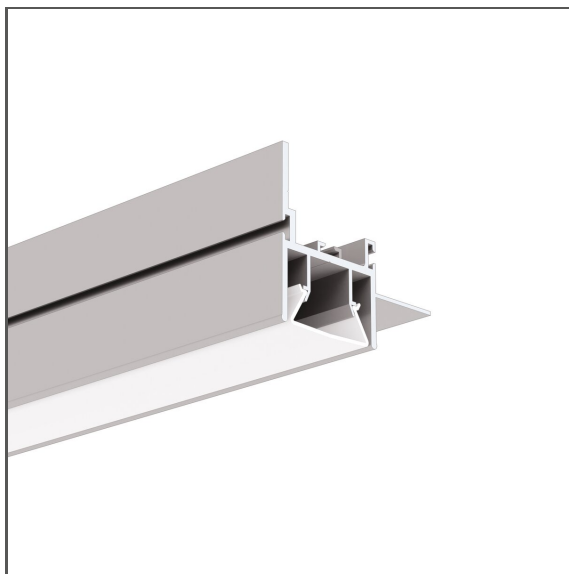


# Profile FOLED-BOK

Ref. A08334V1

Ref. arch B8334V1



- Installation of lighting and stretch films to walls
- Mounting to 12,5 mm - 0.49" drywall
- Non visible aluminum elements
- Line of light flush with the surface

## APPLICATION

- lighting recessed in surfaces made of stretch film and in drywall

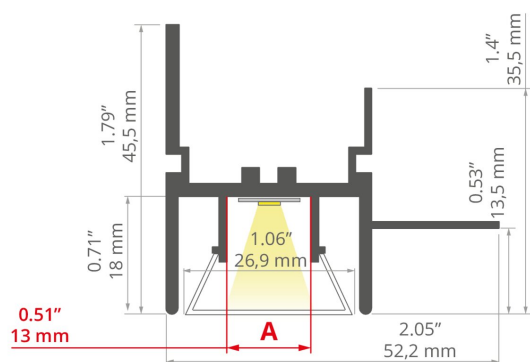
## MOUNTING

- to the surface, using properly selected screws
- can be easily connected into runs and systems

## ADDITIONAL INFORMATION

- the profile has grooves for the attachment of the hooks from the stretch film
- standard lengths of KLUŚ profiles and covers: 1000 mm (tolerance ± 1.5 mm) and 2005 mm / 3010 mm (tolerance + 5 mm); for selected covers: 6050 mm, 10050 mm (tolerance + 5 mm)
- when choosing a different length of profiles / covers than available in the standard, you should additionally choose the cutting service at KLUŚ

## TECHNICAL DRAWING



## TECHNICAL SPECIFICATIONS

Material	aluminum
Color	■ silver non anodized
Possible fixture IP	20
Possible fixture shapes	linear, polygonal
Profile cross-section	rectangular
Width	52.2 mm
Height	45.5 mm
LED gluing width A	13 mm
Number of LED strips A (8 mm wide)	1
Possibility of obtaining a line of light	yes
Building type	Commercial, Retail, Entertainment/ Arts, HoReCa object
Facility zone	office, conference room, communication routes and corridors
The cover is cut to the length of the profile	yes
Wire out back of extrusion	yes

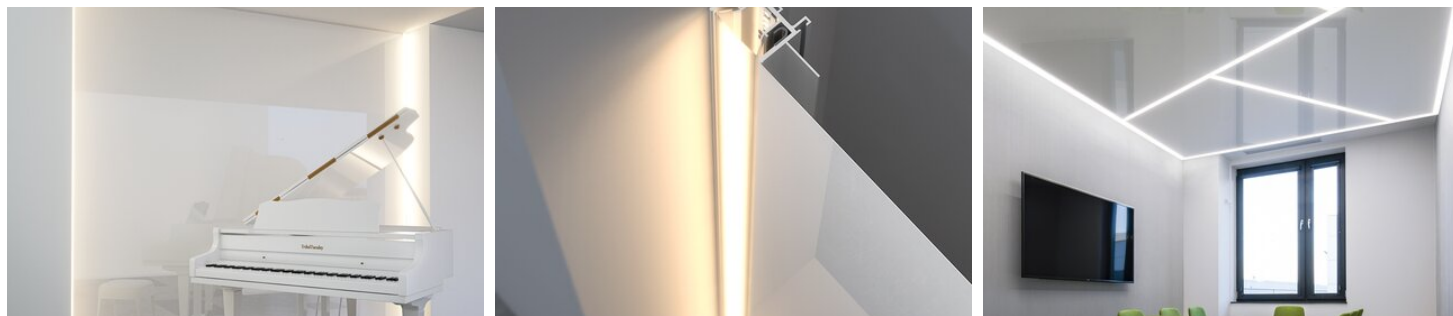
Length	Ref
1000 mm	A08334V1N_1 B8334V1NA_1
2005 mm	A08334V1N_2 B8334V1NA_2
3010 mm	A08334V1N_3 B8334V1NA_3

# Profile FOLED-BOK

Ref. A08334V1

Ref. arch B8334V1

## SAMPLE PROJECTS



## RELATED PROFILES > STRETCH CEILINGS



**FOLED**  
A08332V1  
Ref. arch B8332V1

## RELATED ACCESSORIES > RELATED COVERS

NAME	MATERIAL	MATERIAL TRANSMITTANCE	COLOR	REF.
<b>FOLED</b>	PMMA	78 %	<input type="checkbox"/> frosted	17077V1
		39 %	<input checked="" type="checkbox"/> black	B17045C 17045

## RELATED ACCESSORIES > RELATED END CAPS

NAME	MATERIAL	COLOR	REF.
<b>FOLED-W</b>	PMMA	<input type="checkbox"/> white	C24277C10 24277
		<input checked="" type="checkbox"/> black	C28013C07 24285

# Profile FOLED-BOK

Ref. A08334V1

Ref. arch B8334V1

RELATED ACCESSORIES > OTHER RELATED ACCESSORIES > CONNECTORS



CONNECTOR

**ZM-NA-120**

C28242N00

Ref. arch 42729

RELATED ACCESSORIES > OTHER RELATED ACCESSORIES > OTHER



GLAND

**6x1,2**

C24517C07

Ref. arch 00802